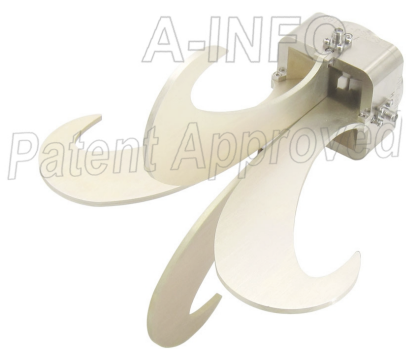


For reference only. See data sheet for the detailed specifications.

Technical Specification



| | |
|----------------------------|--|
| Frequency Range(GHz) | 1.0 – 18.0 |
| Gain(dBi) | 10 Typ. |
| Polarization | Dual Linear |
| 3dB Beamwidth(deg) | E Plane: 104 - 24 |
| | H Plane: 195 - 22 |
| Cross Pol. Isolation(dB) | 30 Typ. ; 20 Min. |
| Port to Port Isolation(dB) | 35 Typ. ; 20 Min. |
| VSWR | 2.0:1 Typ. |
| Connector | SMA-Female or N-Female |
| Power Handling(W CW) | SMA-Female: 50 Max. |
| | N-Female: 50 Max. |
| Material | Al |
| Finish | Chemical Conversion Coating and Nickel Plated |
| Size(mm) | 190.1 x 190.1 x 186.1 |
| Net Weight(Kg) | 0.56 Around |

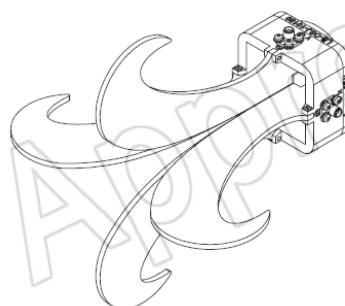
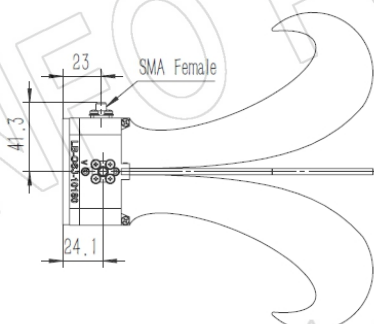
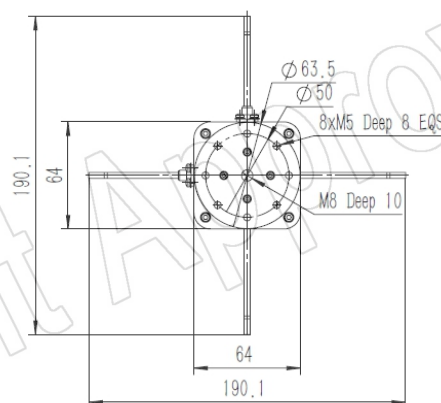
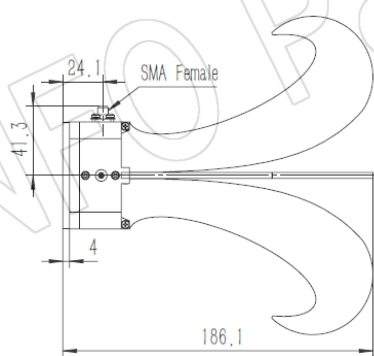
PATENT ID (China)

ZL201921371926.6, ZL201930458720.6

Outline Drawing (Size: mm)

SMA-Female Output (P/N: LB-OSJ-10180-SF)

For N-Female output outline drawing, please contact A-INFO



AINFO Inc.

China(Beijing):
China(Chengdu):
USA :

Tel: (+86) 10-6266-7326,
Tel: (+86) 28-8519-2786,
Tel: (+1) 949-639-9688,

(+86) 10-6266-7327
(+86) 28-8519-3044
(+1) 949-639-9608

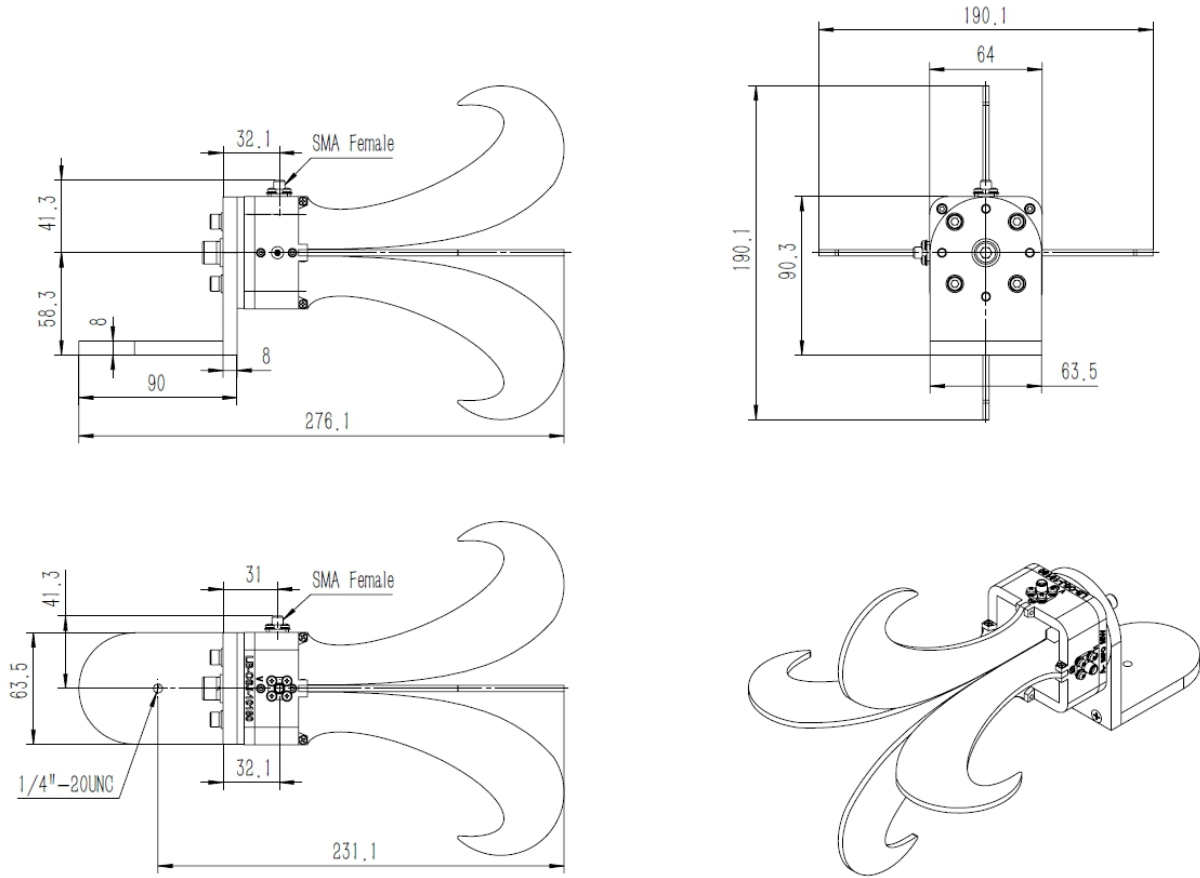
Fax: (+86) 10-6266-7379
Fax: (+86) 28-8519-3068
Fax: (+1) 949-639-9670

Page 1 of 11

Website: www.ainfoinc.com
Email: sales@ainfoinc.com

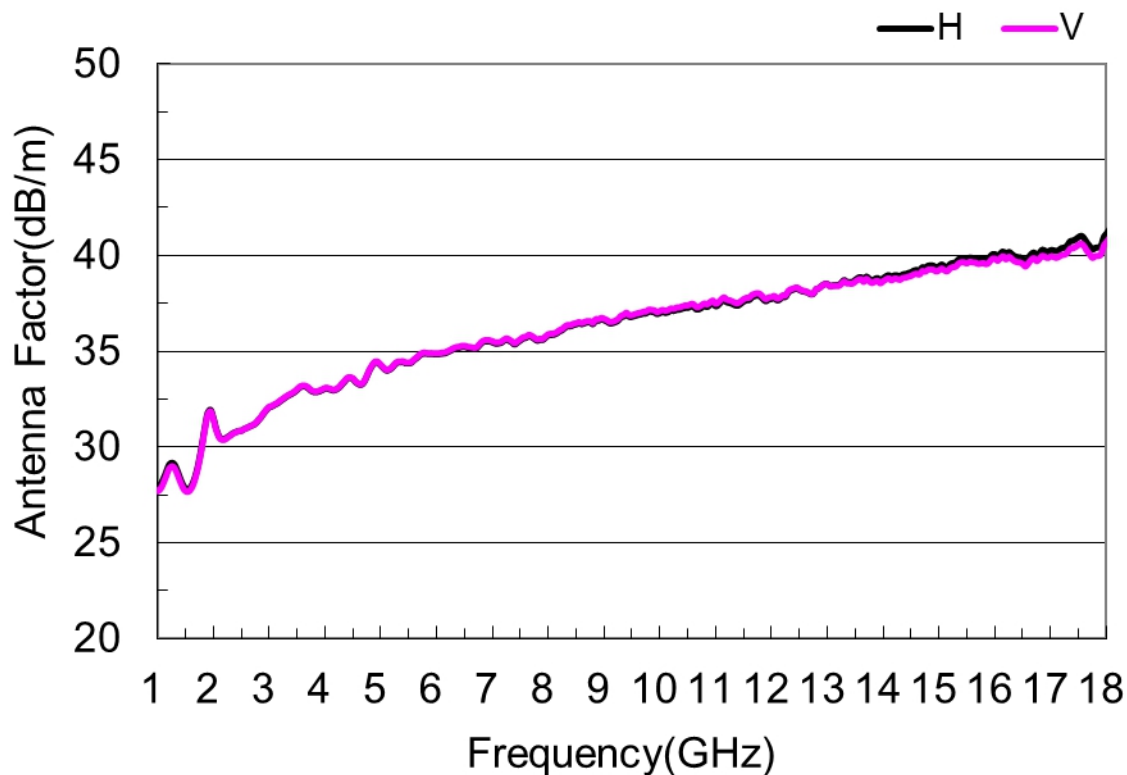
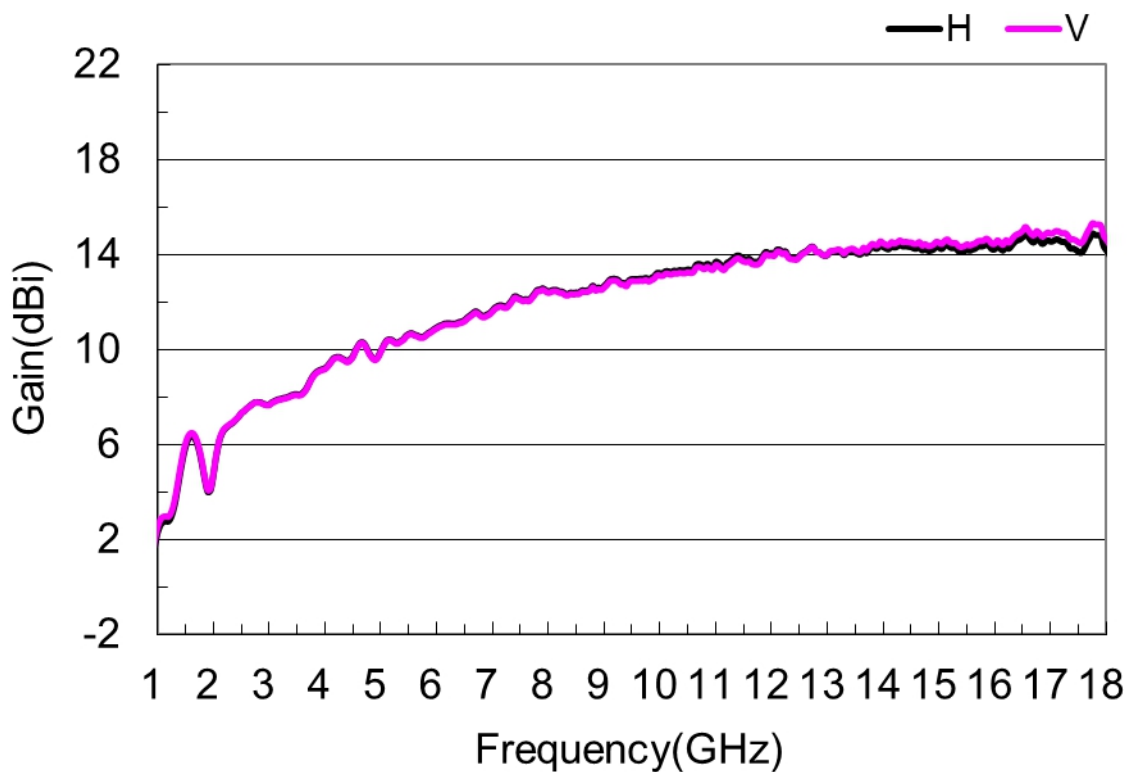
SMA-Female Output with L Type Mounting Bracket (Option, P/N: LB-10180-L)

For N-Female output outline drawing, please contact A-INFO

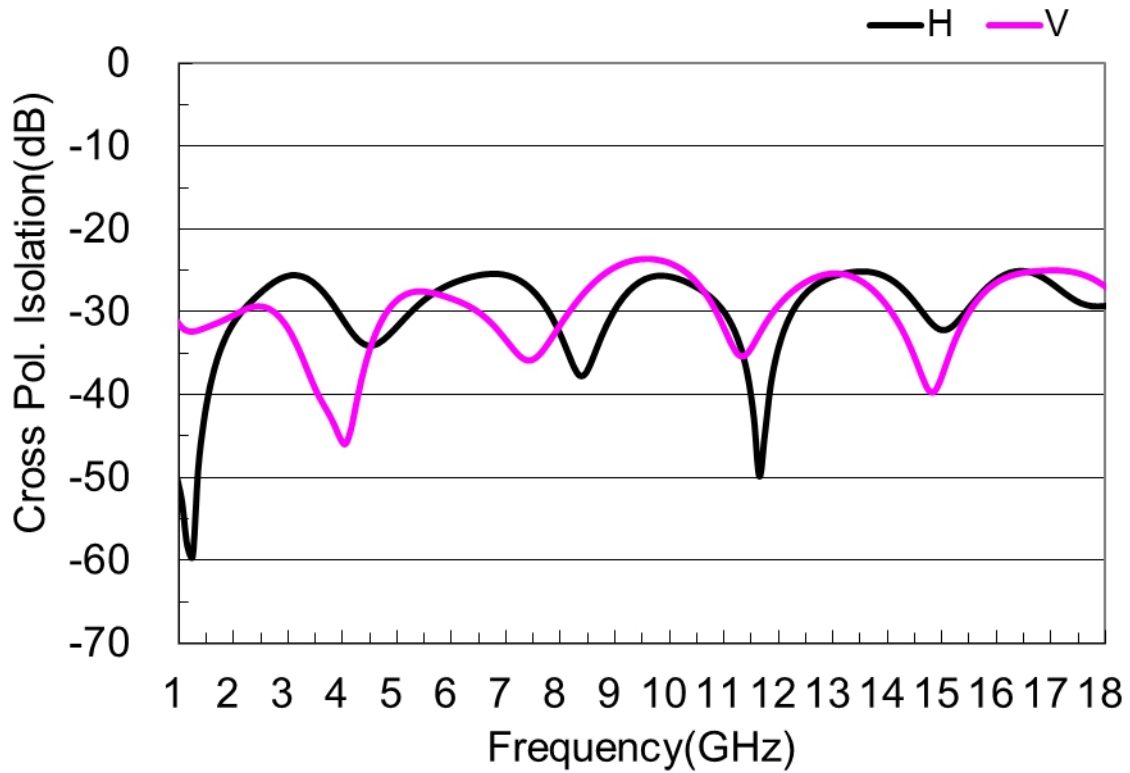


Test Results

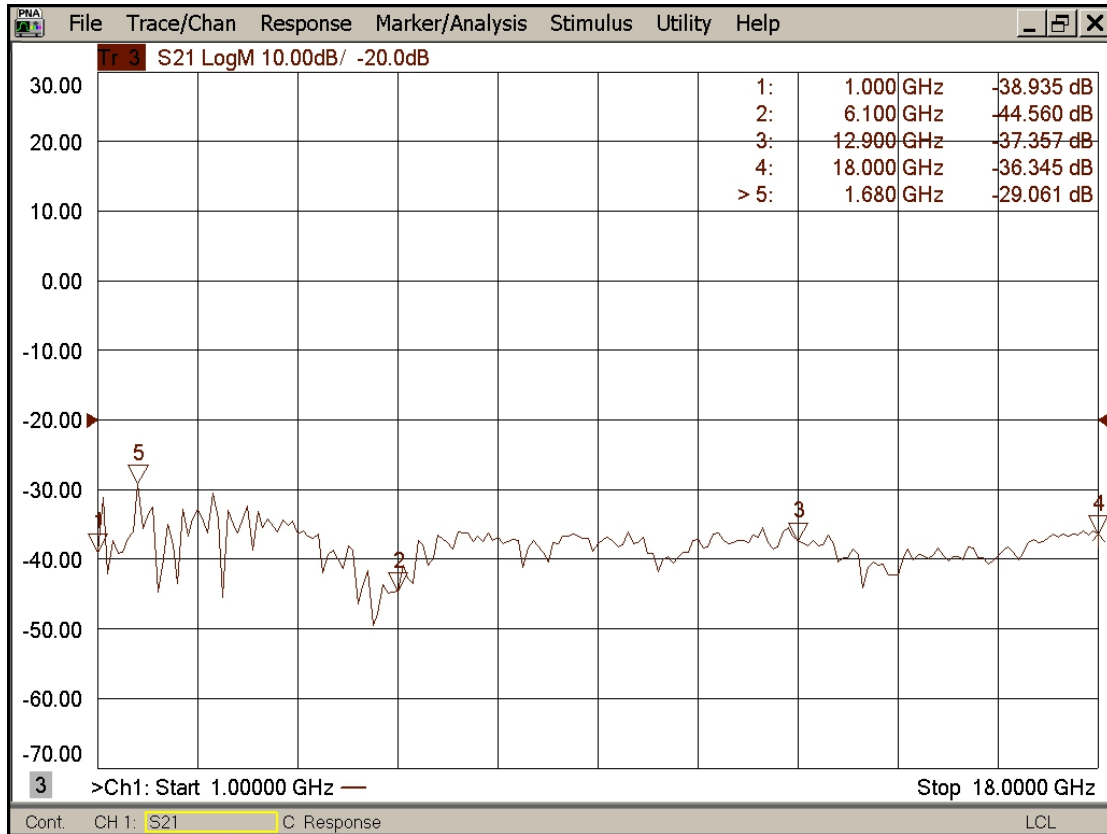
1. Gain & Antenna Factor



2. Cross Pol. Isolation

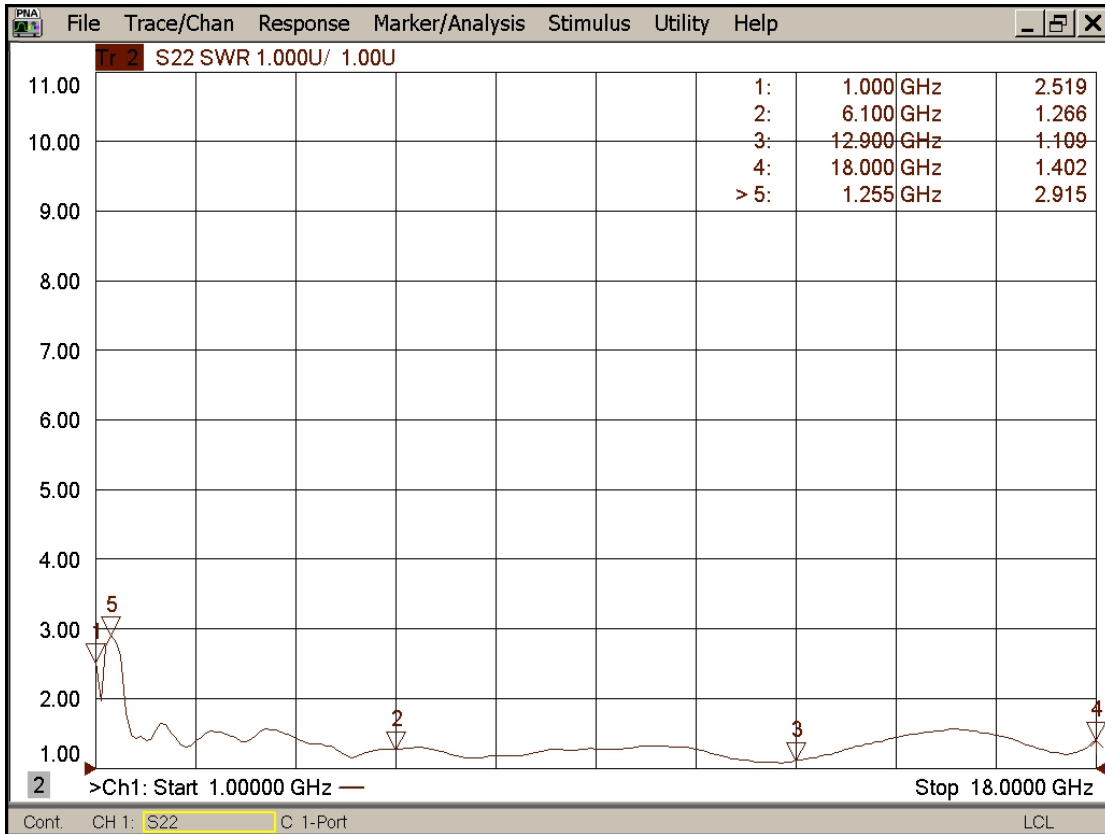


3. Port to Port Isolation

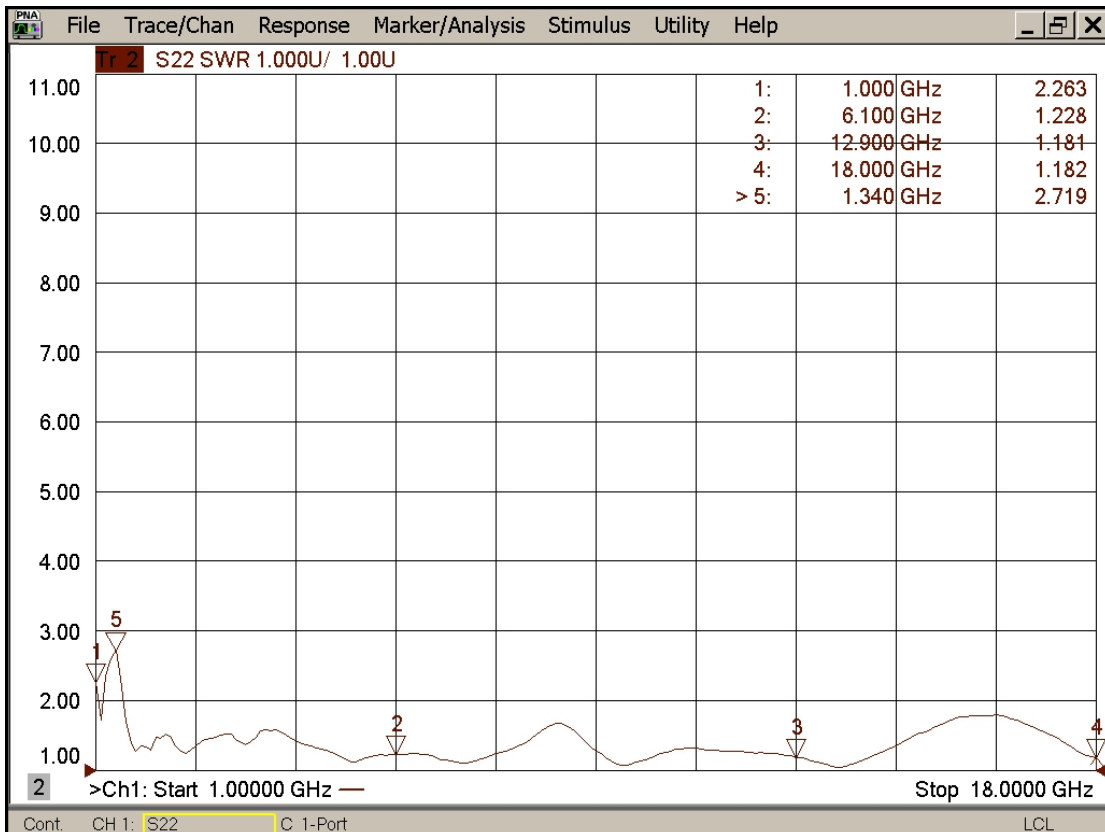


4. VSWR

Port-H



Port-V



5. Pattern

